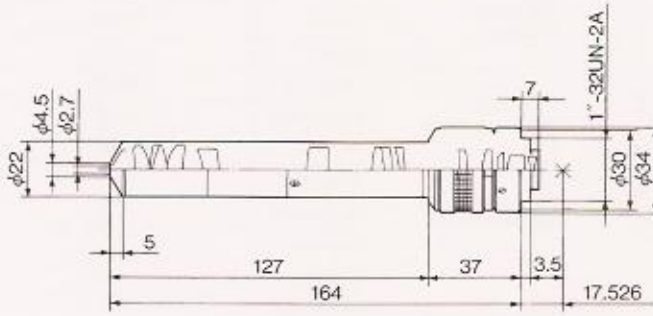


# 2/3 Inch Manual-Iris Pinhole Lens

**C934P**

**C-MOUNT**



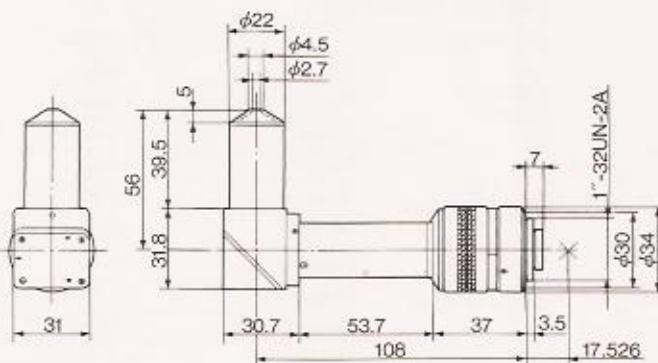
UNIT : mm

## Specifications

Focal Length	9mm	
Maximum Aperture Ratio	1 : 3.4	
Iris Range	F3.4~22	
Operation Method	Iris	Manual
	Focus	Fixed
	Zoom	—
1/2" Angle of View	Diagonal	47°55'
	Horizontal	39°08'
	Vertical	29°51'
2/3" Angle of View	Diagonal	63°47'
	Horizontal	52°36'
	Vertical	40°15'
1" Angle of View	Diagonal	—
	Horizontal	—
	Vertical	—
Minimum Object Distance	(0.3m)	
Back Focal Length	11.8mm	
Flange Back Length	17.526mm	
Filter Screw Size	—	
Effective Diameter	Front Lens	φ2.7mm
	Rear Lens	φ7.8mm
Applicable Temperature Range	-20°C~+50°C	
Dimensions	φ34×164	
Weight	175g	

**C934PL**

**C-MOUNT**



UNIT : mm

## Specifications

Focal Length	9mm	
Maximum Aperture Ratio	1 : 3.4	
Iris Range	F3.4~22	
Operation Method	Iris	Manual
	Focus	Fixed
	Zoom	—
1/2" Angle of View	Diagonal	47°55'
	Horizontal	39°08'
	Vertical	29°51'
2/3" Angle of View	Diagonal	63°47'
	Horizontal	52°36'
	Vertical	40°15'
1" Angle of View	Diagonal	—
	Horizontal	—
	Vertical	—
Minimum Object Distance	(0.3m)	
Back Focal Length	11.8mm	
Flange Back Length	17.526mm	
Filter Screw Size	—	
Effective Diameter	Front Lens	φ2.7mm
	Rear Lens	φ7.8mm
Applicable Temperature Range	-20°C~+50°C	
Dimensions	See Left Figure	
Weight	210g	